

UPB Garage Door Control Installation & Setup Guide



MyAmbience

UPB Garage Door Control Installation & Setup

The UPB I/O Module allows the [MyAmbience](#) to communicate with the garage doors through the powerline. There are two pairs of wire connections required. The first connection is to the garage door motor control. The second is to the garage door contact sensor. The UPB module is usually plugged in to the same outlet as the garage door motor. This makes installation quite simple. All wiring should be planned to this location.

STEP 1: ATTACH GARAGE DOOR MOTORS TO THE UPB I/O MODULE

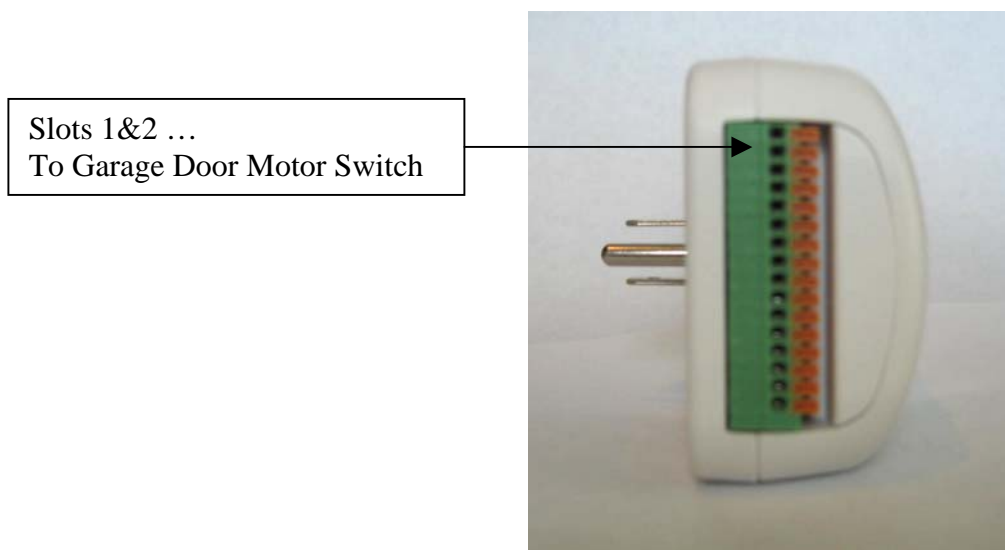
The UPB I/O Modules Contact Closure is used to change the position of the garage door by momentarily closing in the same way that a wall switch is used to change the position of a garage door by momentarily pressing the switch. As seen below, attach the garage door to the UPB I/O Module using slots 1 & 2 of The I/O Module as pictured below. Note that you may connect to the garage door motor in one of two ways:

Inline With Wall Switch

Find the wire running between the garage door motor and the wall switch. Wire the UPB I/O Module inline with the wall switch. Note that wire order does not matter.

Direct To Door Motor

Find the wire running between the garage door motor and the wall switch and note where it attaches to the door motor. Wire UPB I/O Module to the same two terminals where the wall switch attaches to the door motor, being sure to leave the wall switch connected as well. Note that wire order does not matter.



STEP 2: MOUNT THE SENSOR COMPLETER



OR



Attach the **non-wired Sensor Completer** to the interior side of the garage door in one of two places:

Where The Bottom Of The Garage Door Meets The Garage Floor **OR**

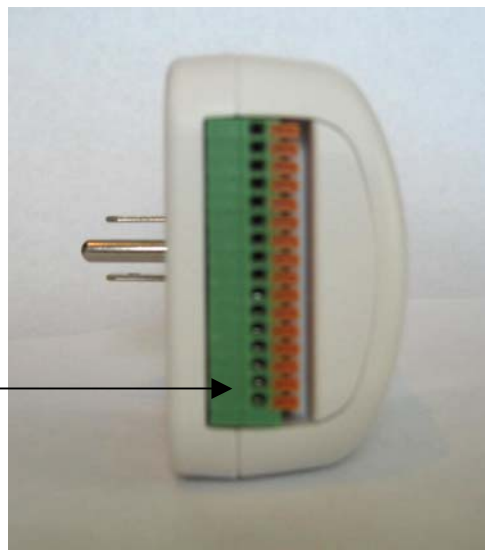
Where The Top Of The Garage Door Meets The Top Of The Garage Door Opening

Mount the **wired Contact Sensor** so that when the garage door is in the closed position it will make contact (or at least be within ½” of the Sensor Completer).

STEP 3: ATTACH THE CONTACT SENSOR TO THE UPB I/O MODULE

Attach the **GREEN** and **BLACK** wires of the Contact Sensor (wire order does not matter) to Slots 15 & 16 of the UPB I/O Module as shown below.

Slots 15 & 16...
To Garage Door Sensor



STEP 4: PLUG IN THE UPB I/O MODULE

You are now ready to program the module and test.